



Pastry Line

catalogue

Pastry line

Elegant

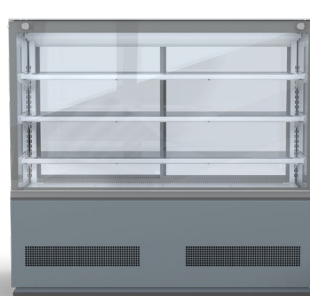
RDEL-05	GBT	0600, 0900, 1400, NW45, NZ45
RDEL-06	BCA	0600, 0900, 1200, 1400
RDEL-21	GDT	0600, 0900, 1400, NZ45, NZ90
RDEL-22	BSA	0900, 1200, 1400



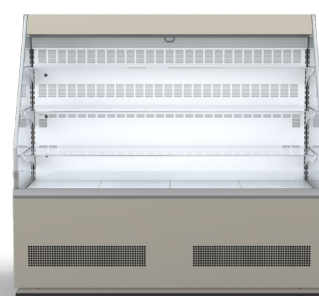
RDEL-05



RDEL-06



RDEL-21



RDEL-22

Etna

RDET-21	GST	0900, 1400
RDET-26	GST	0900, 1300
RDET-27	GST	0900, 1300



RDET-21



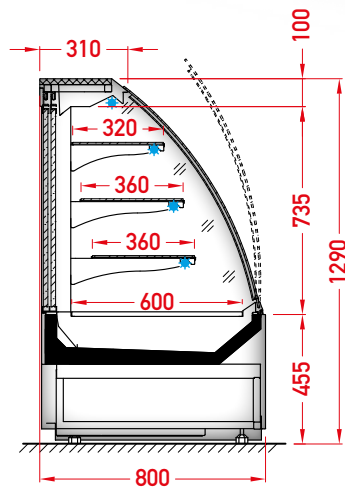
RDET-26



RDET-27

	glazing type	glass type	opening type
BCA	low glass or front glass riser	single, bent	fixed
BSA	low glass or front glass riser	single, straight	fixed
GBT	glass	double, bent	tilt
GST	glass	single, straight	tilt
GDT	glass	double, straight	tilt



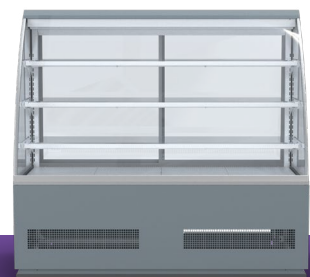


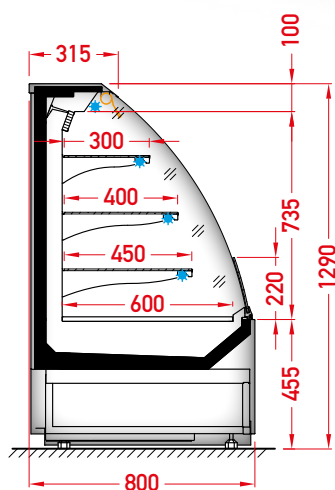
RDEL-05 GBT



STANDARD FEATURES

- working temperature – straight modules from 0°C to 2°C; corner NW45 from 2°C to 4°C; corner NZ45 from 4°C to 8°C
- electrical defrosting
- automatic evaporation of condensate
- electronic controller with temperature indicator
- exposition: 3 suspended glass shelves + bottom made of powder coated, zinc-coated metal plate
- shelves support and bottom shelf in grey color RAL 7004
- back doors, sliding, double glazed (in corner and 0600 modules hinged door)
- lighting – top and each shelf –LEDit
- sidewalls integrated with thermopane glass, with silk-screen painting

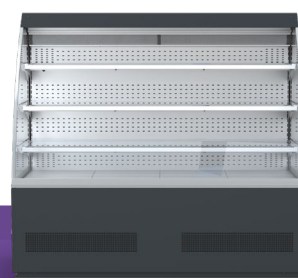


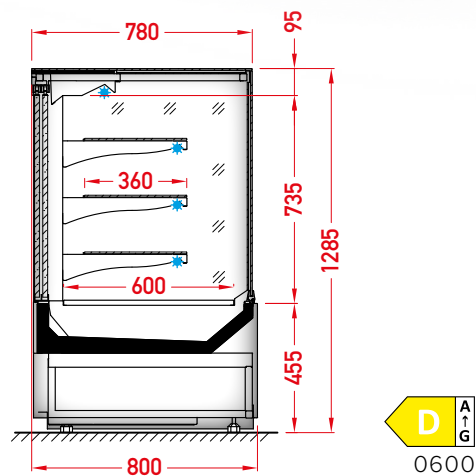


RDEL-06 BCA

STANDARD FEATURES

- working temperature: from 2°C to 4°C
- electrical defrosting
- automatic evaporation of condensate
- electronic controller with temperature indicator
- exposition: 3 suspended glass shelves + bottom made of powder coated, zinc-coated metal plate
- shelves support and bottom shelf in grey color RAL 7004
- lighting – top and each shelf –LEDit
- sidewalls integrated with thermopane glass, with silk-screen painting
- mechanical night blind



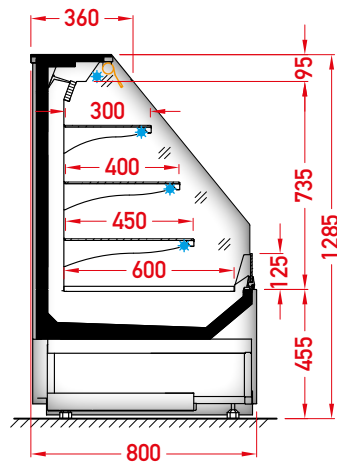


RDEL-21 GDT

STANDARD FEATURES

- working temperature – straight modules from 2°C to 4°C; corner NZ45 from 2°C to 4°C; corner NZ90 from 4°C to 8°C;
- electrical defrosting
- automatic evaporation of condensate
- electronic controller with temperature indicator
- exposition: 3 suspended glass shelves + bottom made of powder coated, zinc-coated metal plate
- shelves support and bottom shelf in grey color RAL 7004
- back doors, sliding, double glazed (in corner and 0600 modules hinged door)
- lighting – top and each shelf –LEDit
- sidewalls integrated with thermopane glass, with silk-screen painting



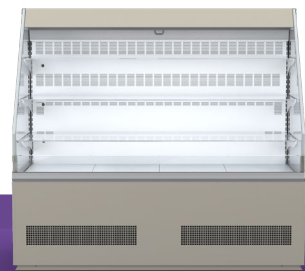


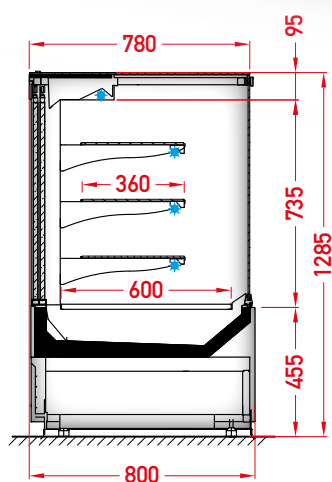
RDEL-22 BSA



STANDARD FEATURES

- working temperature: from 2°C to 4°C
- electrical defrosting
- automatic evaporation of condensate
- electronic controller with temperature indicator
- exposition: 3 suspended glass shelves + bottom made of powder coated, zinc-coated metal plate
- shelves support and bottom shelf in grey color RAL 7004
- lighting – top and each shelf –LEDit
- sidewalls integrated with thermopane glass, with silk-screen painting
- mechanical night blind



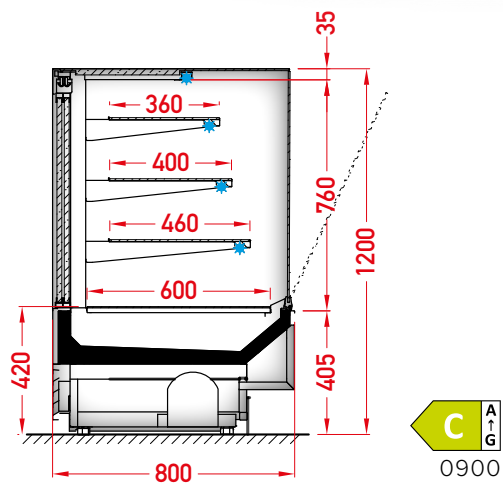


RDET-21 GST

STANDARD FEATURES

- working temperature: from 4°C to 8°C
- electrical defrosting
- automatic evaporation of condensate
- electronic controller with temperature indicator
- exposition: 3 suspended glass shelves + bottom made of powder coated, zinc-coated metal plate
- shelves support and bottom shelf in grey color RAL 7004
- back doors, sliding, double glazed
- lighting – top and each shelf –LEDit
- sidewalls integrated glass, with silk-screen painting



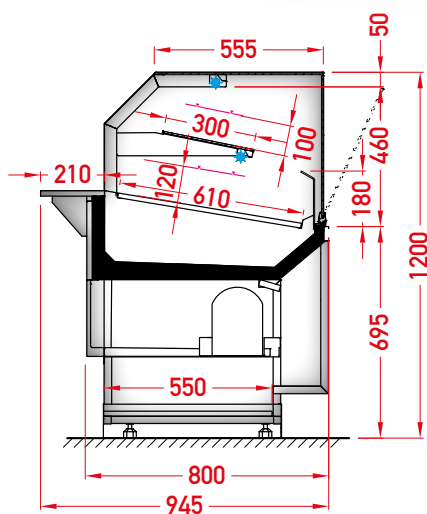


RDET-26 GST

STANDARD FEATURES

- working temperature: from 4°C to 8°C
- natural defrosting
- automatic evaporation of condensate
- electronic controller with temperature indicator
- exposition: 3 suspended glass shelves + bottom made of powder coated, zinc-coated metal plate
- shelves support and bottom shelf in black color RAL 9005
- back doors, sliding, double glazed
- lighting – top and each shelf –LEDit
- sidewalls integrated glass, with silk-screen painting RAL 9005
- Custom-Built shocase



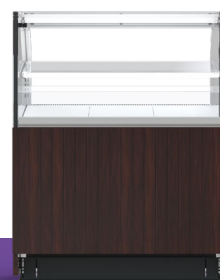


RDET-27 GST

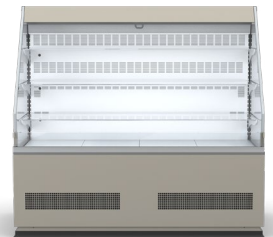
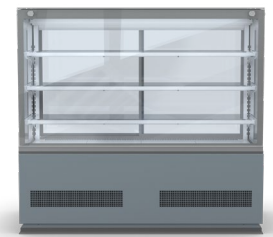


STANDARD FEATURES

- working temperature: from 4°C to 8°C
- natural defrosting
- automatic evaporation of condensate
- electronic controller with temperature indicator
- exposition: 1 suspended glass shelf + bottom made of powder coated, zinc-coated metal plate
- shelves support and bottom shelf in black color RAL 9005
- back doors, sliding, double glazed
- lighting – top and each shelf –LEDit
- sidewalls integrated glass, with silk-screen painting RAL9005
- Custom-Built shocase







Headquarter / Factory: Warszowice, ul. Gajowa 5, Poland
Factory: Zory, al. Jana Pawła II 46, Poland
Contact: +48 32 494 00 00, info@jbg2.com

jbg2.com

JBG-2 Sp. z o.o. reserves the right to change the standards of devices or to withdraw products without prior notice.